

MULTI - PIN MOBILE CONNECTORS

Multipin Mobile Connectors

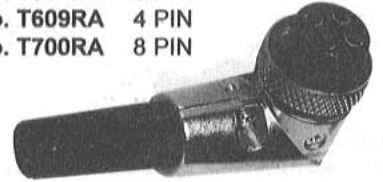
Although these connectors are generically identified as microphone connectors, they are used in a wide variety of applications which require reliable, economical multi-pin connections, particularly for rugged mobile use. The positive screw-on retaining ring, built-in strain relief, reliable contact under extremes of shock and vibration.

The complete line of mobile connectors is manufactured in Japan. Design, structure and fit reflect the care and precision of which the Japanese are capable. Metal gauges, alloys and plating have been selected to meet the needs of a mobile environment.

To augment the premium line of mobile connectors, we have selected a lower cost source in Taiwan. Although somewhat different in structure than the Japanese versions, the "61" series from Taiwan provides an alternative...reliable well-designed connectors at significantly lower cost.

CORD MOUNTING RIGHT ANGLE FEMALE

- No. T602RA 2 PIN
- No. T607RA 3 PIN
- No. T609RA 4 PIN
- No. T700RA 8 PIN



SCREW-ON CAP

No. PCP2

Protective closure cap for chassis socket. 3 1/2" chain with eyelet clip for screw mounting.



IN-LINE FEMALE



1-7/16" X 1/2" D, 23/32" D Ret. Ring



MALE CHASSIS SOCKET

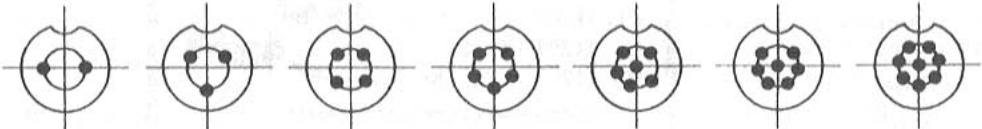
Mounting Hole is 5/8" D

IN-LINE MALE



1-11/16" x 23/32" D

2 PIN 3 PIN 4 PIN 5 PIN 6 PIN 7 PIN 8 PIN



PREMIUM

Made in Japan

In-Line Female
Male Chassis Socket
In-Line Male

T602C	T607C	T609C	T612C	T616C	T707	T700
P602C	P605C	P606C	P612C	P616C	P707	P700
L602C	L607C	L606C	L505C	L616C	L707	L700

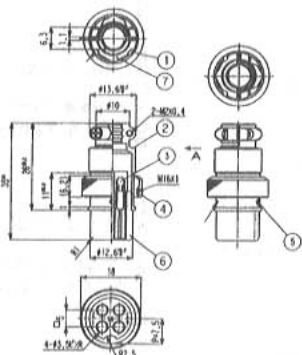
ECONOMY

Made in Taiwan

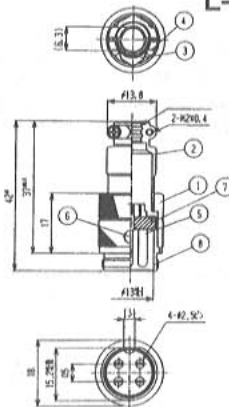
In-Line Female
Male Chassis Socket
In-Line Male

61-602	61-603	61-604	61-605	61-606	61-607	61-608
61-622	61-623	61-624	61-625	61-626	61-627	61-628
61-632	61-633	61-634	61-635	61-636	61-637	61-638

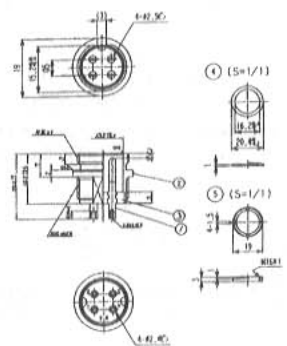
T-Series



L-Series



P-Series



Die-Electric
AC 1 Min

Insulation Resistance
DC 500V
Over 100M ohm

Contact Resistance
Below 5m ohm
at DC 1A